

Model SCD

High efficient and energy saving Centrifugal Blower

With its effective replacement of the Model 4-72 conventional fan and 20 percent reduction of the motor power, Model SCD Centrifugal Blower may be used for the indoor ventilation in ordinary factory or in large-scale building of both air input and output. Convey air or other gas which may not self-ignite, do no harm to human body or is not corrosive to the steels. No glutinous matter is allowed in the gas. The dust or grain matter is no more than $150\text{mg}/\text{m}^3$. The gas temperature is no more than 80°C .

The blower may be made in the model of left revolving or right revolving.

For the convenience of customer's installation and debug, the unitary bracket and shock absorption bracket are provided.

Shuangcheng Blower

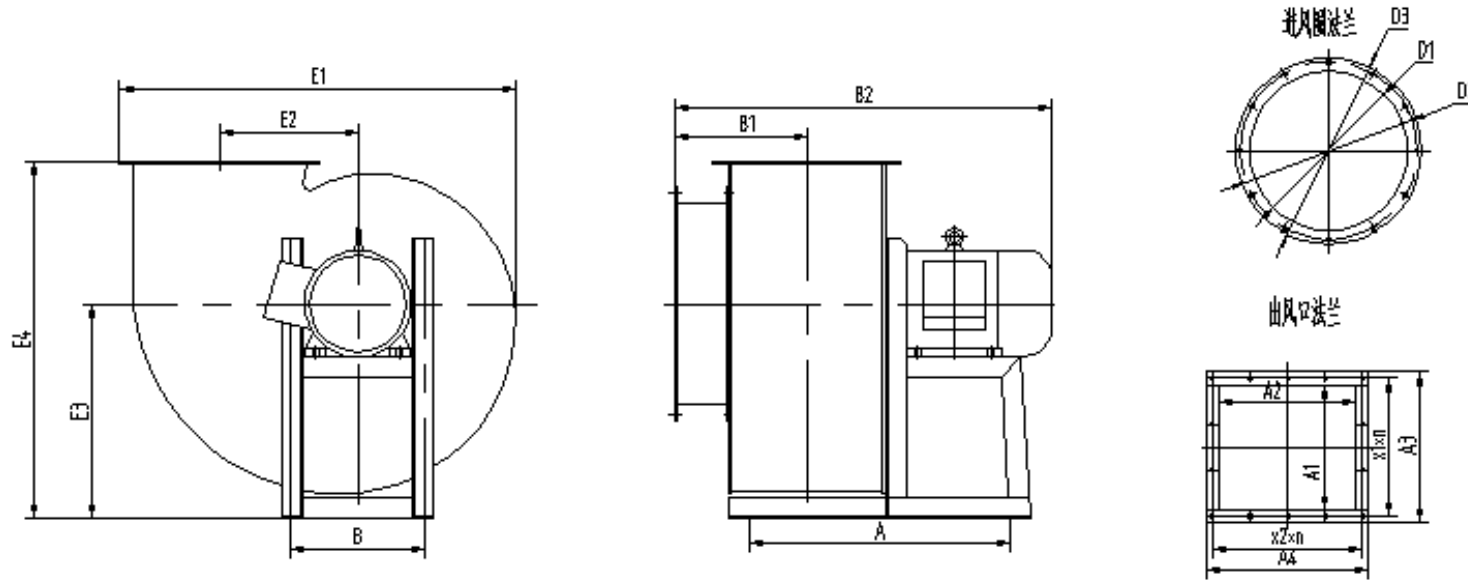
Model SCD Centrifugal Blower Datasheet

No.	Type	speed r/min	No.	Flux m ³ /h	Total pressure Pa	Power kW	motor	
							Type	Power kW
SCD365	A	2900	1	3069	1638	1.7	Y2-90L-2	2.2
			2	3440	1589	1.8		
			3	3813	1532	1.9		
			4	4186	1435	1.9		
			5	4528	1350	2.0		
			6	4874	1250	2.0		
			7	5414	1054	2.0		
			8	5929	896	1.9		
SCD380	A	2900	1	3928	1931	2.6	Y2-100L-2	3
			2	4402	1873	2.7		
			3	4880	1806	2.8		
			4	5358	1692	2.9		
			5	5794	1592	3.0		
			6	6237	1473	3.1		
			7	6929	1243	3.0		
			8	7588	1056	2.8		
SCD400	A	2900	1	4581	2139	3.4	Y2-112M-2	4
			2	5135	2075	3.5		
			3	5692	2001	3.6		
			4	6249	1875	3.7		
			5	6758	1764	3.9		
			6	7275	1632	4.0		
			7	8082	1377	3.9		
			8	8850	1250	3.9		
SCD430	A	2900	1	5691	2472	4.7	Y2-132S1-2	5.5
			2	6379	2398	4.9		
			3	7071	2313	5		
			4	7763	2166	5.2		
			5	8396	2038	5.4		
			6	9038	2001	5.6		
			7	10040	1860	5.5		
			8	10994	1580	5.3		
SCD450	A	2900	1	6522	2707	6.1	Y2-132S2-2	7.5
			2	7311	2626	6.3		
			3	8104	2533	6.5		
			4	8897	2372	6.7		
			5	9623	2232	6.9		
			6	10358	2066	7.2		
			7	11507	1743	7.1		
			8	12601	1481	6.6		

Shuangcheng Blower

No.	Type	speed r/min	No.	Flux m ³ /h	Total pressure Pa	Power kW	motor	
							Type	Power kW
SCD490	A	2900	1	8421	3210	9.4	Y2-160M1-2	11
			2	9439	3114	9.7		
			3	10463	3003	10.0		
			4	11487	2813	10.3		
			5	12424	2647	10.6		
			6	13373	2449	11.0		
			7	14857	2253	11.8		
			8	16268	1982	11.4		
SCD520	A	2900	1	10064	3615	12.6	Y2-160M2-2	15
			2	11281	3507	13.0		
			3	12505	3382	13.5		
			4	13729	3168	13.9		
			5	14848	2981	14.3		
			6	15983	2758	14.7		
			7	17756	2327	14.6		
			8	19443	1978	13.6		
SCD540	A	2900	1	11271	3899	15.2	Y2-160L-2	18.5
			2	12633	3782	15.7		
			3	14004	3647	16.3		
			4	15374	3416	16.8		
			5	16628	3214	17.3		
			6	17899	2974	17.8		
			7	19884	2785	19.5		
			8	21774	2430	18.7		
SCD560	A	2900	1	12570	4193	18.3	Y2-180M-2	22
			2	14090	4067	18.9		
			3	15619	3922	19.5		
			4	17147	3674	20.1		
			5	18545	3457	20.7		
			6	19962	3199	21.4		
			7	22177	2699	22.0		
			8	24284	2293	22.6		
SCD590	A	2900	1	14700	4654	23.7	Y2-200L1-2	30
			2	16477	4515	24.5		
			3	18266	4354	25.3		
			4	20053	4078	26.1		
			5	21688	3837	26.9		
			6	23345	3551	27.7		
			7	25935	2996	27.4		
			8	28399	2546	25.6		

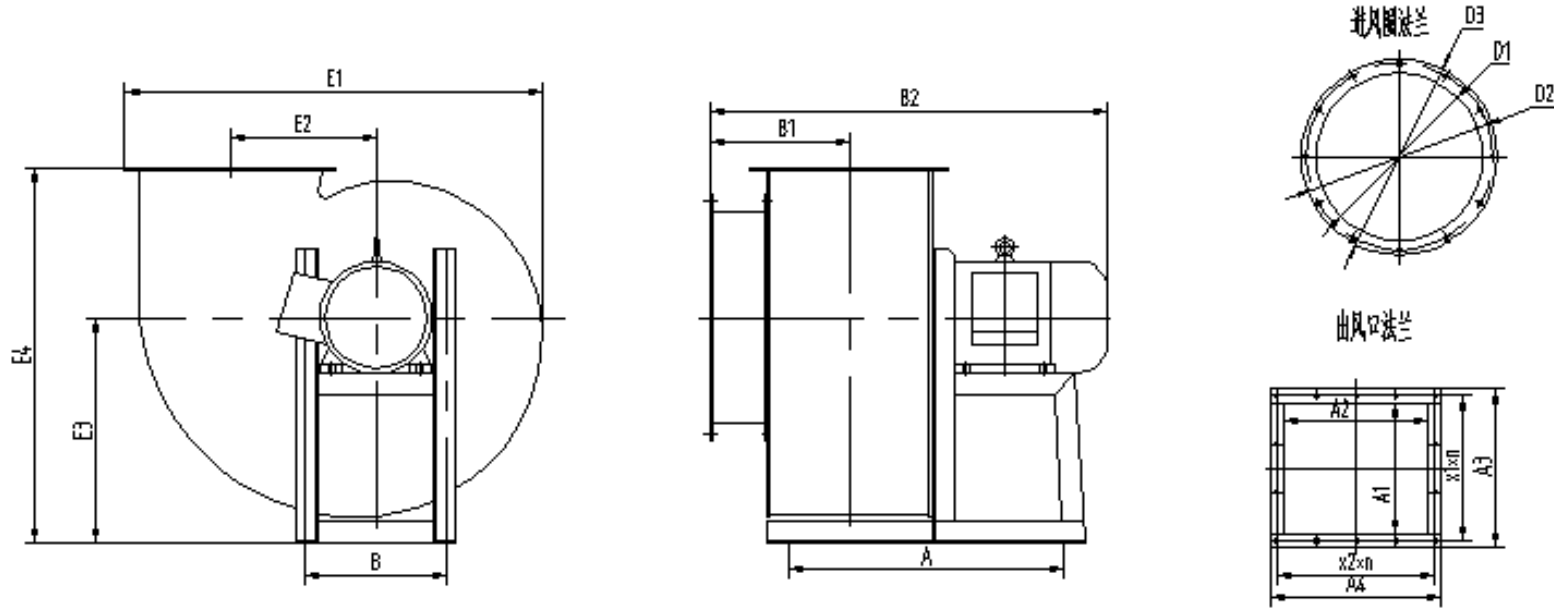
Shuangcheng Blower



Shape and Installation Size Chart of Model SCD A Centrifugal Blower

No.	Inlet flange					Outlet flange								Shape Size						Installation Size			
	D1	D2	D3	Coupling bolt		A1	A2	A3	A4	Coupling bolt				E1	E2	E3	E4	B1	B2	A	B	Anchor bolt hole	
				M	quantity					M	quantity	x1×n	x2×n									Φ	quantity
365	350	390	416	8	8	276	300	336	360	6	14	102×3	83.5×4	694	239	380	632	242	665	445	240	15	4
380	380	420	446	8	12	300	325	360	385	6	14	110×3	90×4	759	265	410	684	254	724	500	260	15	4
400	400	440	466	8	12	315	342	375	402	6	14	115×3	93×4	797	279	442	730	261.5	759	545	300	15	4
430	430	470	496	8	12	338	367	398	427	8	14	122×3	100×4	856	300	472	782	274	838	590	340	15	4
450	450	495	536	8	12	354	384	434	464	8	16	99×4	105×5	904	324	487	811	282.5	854	585	340	15	4

Shuangcheng Blower



Shape and Installation Size Chart of Model SCD A Centrifugal Blower

No.	Inlet flange					Outlet flange								Shape Size						Installation Size			
	D1	D2	D3	Coupling bolt		A1	A2	A3	A4	Coupling bolt				E1	E2	E3	E4	B1	B2	A	B	Anchor bolt hole	
				M	quantity					M	quantity	x1×n	x2×n									Φ	quantity
																							Φ
490	490	535	576	8	12	385	418	465	498	8	18	106×4	92×5	966	334	540	893	298	980	725	406	15	4
520	520	565	606	8	12	409	443	489	523	8	18	112.5×4	97×5	1039	364	565	939	309.5	1004	750	406	15	4
540	540	585	626	8	16	424	460	504	540	8	18	116×4	100×5	1074	376	585	974	317	1064	805	410	15	4
560	560	610	646	10	16	440	476	520	556	10	20	96×5	103×5	1097	383	610	1013	325	1105	820	440	15	4
590	590	635	676	10	16	463	502	543	582	10	20	100×5	108×5	1169	411	640	1065	336.5	1233	915	470	18	4