

T35-11 axial flow fan

一、 Purpose of the Blower

T35-11 axial flow fan is an energy saving new product, with the characteristics of simple structure, high efficiency, little vibration and low noise. It applies to the ventilation in ordinary work place, warehouse, house and building, or for strengthening the cooling use of central heating, or used as free fan if the shell is removed; or installed in series interval in the long vent-pipe to enhance the full pressure in the pipe. The medium conveyed is dry air and other matters which are non-corrosive, non-self-igniting and non glutinous. The temperature of the medium conveyed should not be higher than 60°C. The powder dust contained in the conveying gas should be no more than 150mg/m³.

二、 Models of the Blower

1 .This blower has 13 specifications for selection as:

Models: NO2.8; 3.15; 3.55; 4; 4.5; 5; 5.6; 6.3; 7.1; 8; 9; 10; 12;

2 .The blower selects motor of different poles to connect with the impeller.

The outer covering of air blower is Canister shape. Facing the blower, the rotating direction of the impeller is anticlockwise.

三、 Operation, installation and maintenance

1. Long vent-pipe to enhance the wind pressure in the pipe.

2. Upside-down is prohibited.

3. Examine carefully whether there is any damage or distortion due to package or transportation. If applicable, install after repair.

4. Examine whether there is any loose between the joint parts, the clearance between the impeller sheet and the wind canister, no touching.

5. Uphold at installation. Install the wind hole with the blower as well as fence wire netting.

6. Naturally, no compulsory linking by striking the base in order not to distort the chassis. The base should be revised while installing.

7. Relievable and firm, and whether the clearance between the impeller and the wind canister is appropriate. Operate formally after trial operation.

8. Check regularly whether there is any abnormal noise and whether the vibration is increasing, and repair timely.

9. Check every half a year after the formal operation of the blower.

This manual is for reference only. There may be changes to the figures.

Shuangcheng Blower

T35、BFT35 axial flow fan Datasheet

No.	wheel dia. mm	wheel Linear Velocity m/s	speed r/min	Direction angle °	Flux m ³ /h	Total pressure Pa	Total pressure efficiency (%)	Motor	
								Type	Power kW
2.8	280	42.5	2900	15	1224	128	0.64	YSF-5622	0.12
				20	1742	141	0.68	YSF-5632	0.180
				25	2560	143	0.69	YSF-5632	0.180
				30	2495	165	0.68	YSF-6322	0.350
				35	2778	186	0.64	YSF-6332	0.370
		21.5	1450	15	613	32	0.64	YSF-5014	0.025
				20	873	35.2	0.68	YSF-5014	0.025
				25	1133	35.7	0.69	YSF-5014	0.025
				30	1251	41.2	0.68	YSF-5024	0.040
				35	1392	46.6	0.64	YSF-5024	0.040
3.15	315	47.8	2900	15	1944	170.1	0.67	YSF-6312	0.180
				20	2681	186.6	0.71	YSF-6322	0.250
				25	3418	189.2	0.72	YSF-6332	0.370
				30	3753	217.7	0.71	YSF-7122	0.550
				35	4155	247	0.67	YSF-7122	0.550
		23.9	1450	15	972	42.5	0.67	YSF-5014	0.025
				20	1340	46.6	0.71	YSF-5024	0.040
				25	1709	47.2	0.72	YSF-5024	0.040
				30	1877	54.9	0.71	YSF-5614	0.060
				35	2078	61.7	0.67	YSF-5624	0.090
3.55	355	53.9	2900	15	2783	216.1	0.67	YSF-7112	0.370
				20	3839	237	0.71	YSF-7122	0.550
				25	4895	240.3	0.72	YSF-7132	0.750
				30	5375	279	0.71	YSF-7132	0.750
				35	5951	313.6	0.67	YSF-8022	1.1
		27.0	1450	15	1394	54	0.67	YSF-5024	0.040
				20	1923	59.2	0.71	YSF-5614	0.060
				25	2452	60.2	0.72	YSF-5624	0.090
				30	2692	69.7	0.71	YSF-5624	0.090
				35	2981	78.4	0.67	YSF-6314	0.120

Shuangcheng Blower

T35、BFT35

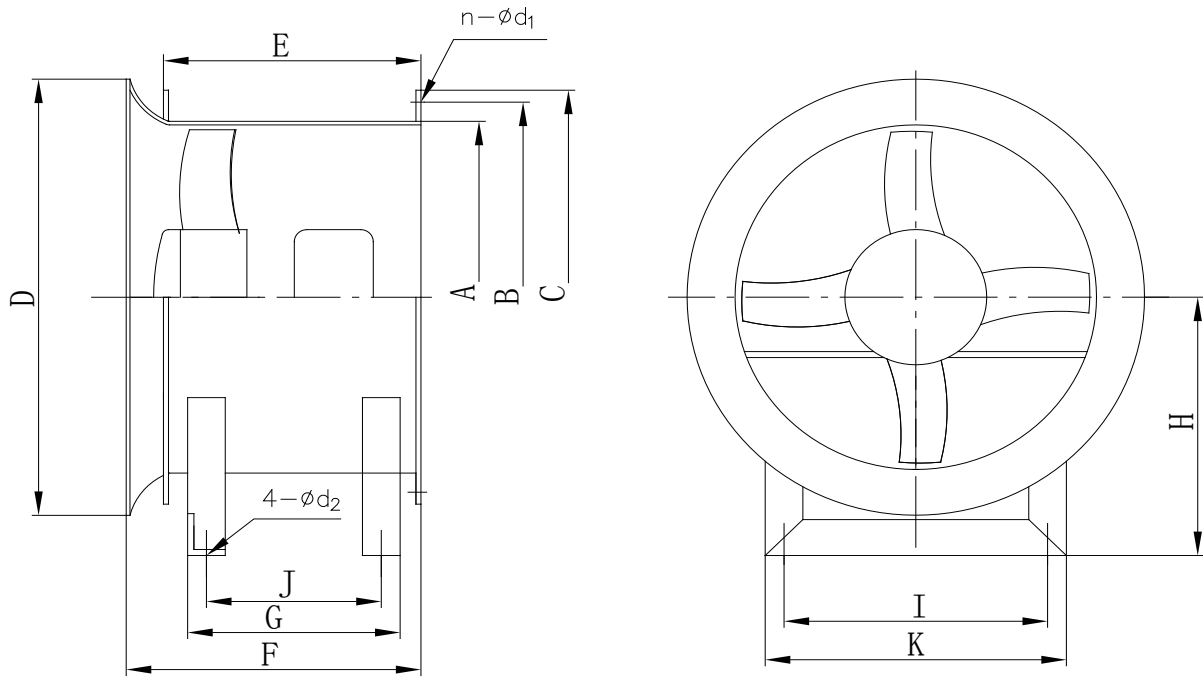
No.	wheel dia. mm	wheel Linear Velocity m/s	speed r/min	Direction angle °	Flux m ³ /h	Total pressure Pa	Total pressure efficiency (%)	Motor	
								Type	Type
4	400	60.7	2900	15	3980	274.3	0.67	YSF-7132	0.75
				20	5489	300.9	0.71	YSF-8022	1.1
				25	6999	305.1	0.72	YSF-8022	1.1
				30	7685	354	0.71	YT90S-2	1.5
				35	8500	398.2	0.67	YT90S-2	2.2
		30.4	1450	15	1993	68.6	0.67	YSF-5624	0.090
				20	2749	75.2	0.71	YSF-6314	0.12
				25	3505	76.2	0.72	YSF-6324	0.18
				30	3849	88.5	0.71	YSF-6324	0.18
				35	4261	99.5	0.67	YSF-7114	0.25
4.5	450	34.2	1450	15	2838	86.8	0.67	YSF-6314	0.120
				20	3914	95.2	0.71	YSF-6324	0.180
				25	4991	96.5	0.72	YSF-7114	0.250
				30	5480	112	0.71	YSF-7124	0.370
				35	6067	126	0.67	YSF-7124	0.370
5	500	38.0	1450	15	4289	112.6	0.67	YSF-7114	0.250
				20	5763	124.8	0.71	YSF-7124	0.370
				25	7273	129.6	0.72	YSF-8014	0.550
				30	7907	145.6	0.71	YSF-8014	0.550
				35	8712	164.6	0.67	YSF-8024	0.750
		25.1	960	15	2839	49.1	0.71	YSF-8026	0.370
				20	3815	54.4	0.75	YSF-8026	0.370
				25	4792	56.8	0.77	YSF-8026	0.370
				30	5235	63.5	0.75	YSF-8026	0.370
				35	5768	71.8	0.71	YSF-8026	0.370
5.6	560	42.5	1450	15	6025	140.9	0.71	YSF-7124	0.370
				20	8097	156.1	0.75	YSF-8014	0.550
				25	10168	162.6	0.77	YSF-8024	0.750
				30	11110	182.1	0.75	YT90S-4	1.1
				35	12239	206	0.71	YT90S-4	1.1
		28.1	960	15	3989	61.8	0.71	YSF-8026	0.370
				20	5361	68.4	0.75	YSF-8026	0.370
				25	6732	71.3	0.77	YSF-8026	0.370
				30	7355	79.8	0.75	YSF-8026	0.370
				35	8103	90.3	0.71	YSF-8026	0.370

Shuangcheng Blower

T35、BFT35

No.	wheel dia. mm	wheel Linear Velocity m/s	speed r/min	Direction angle °	Flux m ³ /h	Total pressure Pa	Total pressure efficiency (%)	Motor	
								Type	Type
6.3	630	47.8	1450	15	8579	178.3	0.71	YSF-8024	0.750
				20	11528	197.6	0.75	YT90S-4	1.1
				25	14477	205.8	0.77	YT90S-4	1.5
				30	15817	230.5	0.75	YT90L-4	1.5
				35	17426	260.7	0.71	YT100L-4	2.2
		31.7	960	15	5680	78.2	0.71	YSF-8026	0.370
				20	7632	86.6	0.75	YSF-8026	0.370
				25	9585	90.2	0.77	YSF-8026	0.370
				30	10472	101.0	0.75	YT90S-6	0.750
				35	11532	114.3	0.71	YT90S-6	0.750
7.1	710	53.9	1450	15	12280	226.5	0.71	YT90L-4	1.5
				20	16501	250.9	0.75	YT100L1-4	2.2
				25	20722	261.4	0.77	YT100L2-4	3
				30	22641	292.7	0.75	YT100L2-4	3
				35	24944	331.1	0.71	YT112M-4	4
		36.7	960	15	8130	99.3	0.71	YT90S-6	0.75
				20	10925	110	0.75	YT90S-6	0.75
				25	17320	114.6	0.77	YT90S-6	0.75
				30	14990	128.4	0.75	YT90L-6	0.75
				35	16514	145.2	0.71	YT90L-6	1.1
8	800	60.7	1450	15	17567	287.6	0.71	YT100L2-4	3
				20	23605	318.6	0.75	YT112M-4	4
				25	29644	331.8	0.77	YT132S-4	5.5
				30	32389	371.6	0.75	YT132S-4	5.5
				35	35682	420.3	0.71	YT132M-4	7.5
		40.2	660	15	11630	126.1	0.71	YT90S-6	0.75
				20	15628	139.6	0.75	YT90L-6	1.1
				25	19626	131.1	0.77	YT90L-6	1.1
				30	21444	162.9	0.75	YT100L-6	1.5
				35	23624	184.2	0.71	YT112M-6	2.2
9	900	45.2	960	15	16560	159.5	0.71	YT100L-6	1.8
				20	22252	176.7	0.75	YT112M-6	2.2
				25	27944	184.1	0.77	YT112M-6	2.2
				30	30532	206.2	0.75	YT132S-6	3
				35	33937	233.2	0.71	YT132M1-6	4
10	1000	50.3	960	15	22716	197	0.71	YT112M1-6	2.2
				20	30524	218.2	0.75	YT132S-6	3
				25	38333	227.3	0.77	YT132M1-6	4
				30	41882	254.5	0.75	YT160M-6	5.5
				35	46141	287.9	0.71	YT160M-6	7.5
11.2	1120	56.3	960	15	31914	247	0.71	YT132M1-6	4
				20	42884	273.7	0.75	YT132M2-6	5.5
				25	53855	285.1	0.77	YT160M-6	7.5
				30	58841	319.3	0.75	YT160L-6	11
				35	64825	361.1	0.71	YT160L-6	11

Shuangcheng Blower



T35、BT35、BFT35 Shape Size & Installation Size

Size No.	A	B	C	D	E	F	G	H	I	J	K	n	Ød ₁	Ød ₂	weight
2.8	283	320	346	355	220	258	212	220	100	175	260	4	10	12	10.26
3.15	316	350	381	400	240	282	232	240	220	190	300	8	10	12	13.2
3.55	358	385	422	450	280	327	272	260	210	230	380	8	10	12	14.28
4	404	450	478	500	300	349	292	290	280	240	370	8	12	12	21.03
4.5	454	500	528	580	260	314	252	330	310	205	430	8	12	12	22.93
5	504	560	588	630	300	364	290	340	410	240	430	12	12	12	30.96
5.6	564	620	649	710	830	404	318	390	440	260	490	12	12	14	41.34
6.3	634	690	719	800	390	474	378	440	440	320	540	12	12	14	57.56
7.1	715	770	800	900	400	494	388	490	630	330	700	16	12	14	87.82
8	805	360	891	1000	480	479	468	550	700	380	770	16	12	18	90.87
9	905	970	1001	1120	540	648	526	610	810	440	850	16	15	18	121.18
10	1006	1070	1103	1250	630	753	616	670	800	505	956	16	15	22	151.16
11.2	1126	1190	1223	1400	700	888	686	760	1080	580	1289	20	15	22	192.1