

Y5-47 Centrifugal Boiler Blower

Y5-47 series centrifugal boiler blower is designed for the industrial boiler of 1-20 T/H which is fit for various burning medium and equipped with smoke and dust catching device, which may be selected by those with certain absorption condition and applicable performance. No more than 250°C of the highest temperature. Add the dust catching device of no less than 85% dust catching efficiency in front of the blower, so as to reduce the smoke content entered the blower, and increase the blower's longevity.

The blower's performance is indicated with the specifications of wind volume, full pressure, rotating speed of the principal axis, axis Power, efficiency, etc. Among the performance shown in the performance chart, NO.4-6, the performance of blower is calculated according to the air medium that: air temperature $t=250^{\circ}\text{C}$, atmospheric pressure $P_0=101300\text{Pa}$, air density $\rho =0.672\text{kg/m}^3$, above NO.8, is calculated according to that: air temperature $t=200^{\circ}\text{C}$, atmospheric pressure $P_0=101325\text{Pa}$, smoke density $\rho =0.745\text{kg/m}^3$.

Two transmission methods are used for this series of blowers: direct joint transmission (D type) and jib-headed strap transmission (C type)

This model of blower is single inhalation, 9 types: NO.4、 5、 6、 8、 9、 10、 11、 12、 12.4, each may be made in the model of left revolving or right revolving.

For the convenience of customer's installation and debug, the unitary bracket and shock absorption bracket are provided.

Y5-47-4C centrifugal boiler induced draft fan

Speed r/min	No.	Flux m ³ /h	Total pressure Pa	Power kW	motor		size L×W×H mm	weight (except motor) kg
					Type	Power kW		
2900	1	2750	1431	1.91	Y100L-2	3		
	2	3080	1431	2.00	Y100L-2	3		
	3	3410	1411	2.10	Y100L-2	3		
	4	3740	1362	2.19	Y100L-2	3		
	5	4070	1294	2.26	Y100L-2	3		
	6	4400	1215	2.34	Y100L-2	3		
	7	4730	1137	2.43	Y100L-2	3		
	8	5060	980	2.38	Y100L-2	3		
3300	1	3130	1852	2.79	Y112M-2	4		
	2	3500	1852	2.94	Y112M-2	4		
	3	3880	1842	3.08	Y112M-2	4		
	4	4250	1774	3.22	Y112M-2	4		
	5	4630	1676	3.34	Y112M-2	4		
	6	5000	1588	3.44	Y112M-2	4		
	7	5380	1470	3.56	Y112M-2	4		
	8	5750	1264	3.52	Y112M-2	4		

Y5-47-5C centrifugal boiler induced draft fan

Speed r/min	No.	Flux m ³ /h	Total pressure Pa	Power kW	motor		size L×W×H mm	weight (except motor) kg
					Type	Power kW		
2620	1	4840	1823	4.25	Y132S 1-2	5.5		
	2	5420	1823	4.47	Y132S 1-2	5.5		
	3	6000	1803	4.73	Y132S 1-2	5.5		
	4	6580	1744	4.88	Y132S 1-2	5.5		
	5	7160	1646	5.04	Y132S 1-2	5.5		
	6	7740	1558	5.22	Y132S 1-2	5.5		
	7	8320	1441	5.40	Y132S 1-2	5.5		
	8	8900	1225	5.36	Y132S 1-2	5.5		
2900	1	5360	2234	5.77	Y132S2-2	7.5		
	2	6010	2234	6.10	Y132S2-2	7.5		
	3	6650	2215	6.42	Y132S2-2	7.5		
	4	7300	2136	6.64	Y132S2-2	7.5		
	5	7940	2019	6.89	Y132S2-2	7.5		
	6	8580	1911	7.09	Y132S2-2	7.5		
	7	9230	1774	7.33	Y132S2-2	7.5		
	8	9870	1529	7.26	Y132S2-2	7.5		

Y5-47-6C centrifugal boiler induced draft fan

Speed r/min	No.	Flux m ³ /h	Total pressure Pa	Power kW	motor		size L×W×H mm	weight (except motor) kg
					Type	Power kW		
2620	1	8370	2626	10.57	Y160M2-2	15		
	2	9380	2626	11.15	Y160M2-2	15		
	3	10380	2607	11.72	Y160M2-2	15		
	4	11390	2519	12.20	Y160M2-2	15		
	5	12390	2381	12.63	Y160M2-2	15		
	6	13400	2244	13.02	Y160M2-2	15		
	7	14400	2087	13.48	Y160M2-2	15		
	8	15410	1803	13.35	Y160M2-2	15		
2850	1	9110	3107	13.61	Y160L-2	18.5		
	2	10200	3107	14.34	Y160L-2	18.5		
	3	1130	3077	15.10	Y160L-2	18.5		
	4	12390	2979	15.65	Y160L-2	18.5		
	5	13480	2822	16.24	Y160L-2	18.5		
	6	14570	2656	16.71	Y160L-2	18.5		
	7	15670	2470	17.31	Y160L-2	18.5		
	8	16760	2117	17.10	Y160L-2	18.5		

Y5-47-8C centrifugal boiler induced draft fan

Speed r/min	No.	Flux m ³ /h	Total pressure Pa	Power kW	motor		size L×W×H mm	weight (except motor) kg
					Type	Power kW		
1860	1	12407	2550	11.65	Y180L-4	22	1497×1450× 1388	190
	2	13958	2540	12.46	Y180L-4	22		
	3	15508	2481	13.23	Y180L-4	22		
	4	17059	2452	14.27	Y180L-4	22		
	5	18751	2383	14.60	Y180L-4	22		
1860	6	20301	2275	15.31	Y180L-4	22		
	7	21852	2079	15.65	Y180L-4	22		
	8	23404	1853	15.98	Y180L-4	22		
2020	1	13474	3001	14.89	Y200L-4	30	1497×1450× 1388	240
	2	15158	2991	15.94	Y200L-4	30		
	3	16842	2932	16.85	Y200L-4	30		
	4	18527	2893	17.80	Y200L-4	30		
	5	20364	2805	18.66	Y200L-4	30		
	6	22048	2677	19.65	Y200L-4	30		
	7	23733	2452	20.38	Y200L-4	30		
	8	25417	2187	20.47	Y200L-4	30		

Shuangcheng Blower

Y5-47-9C centrifugal boiler induced draft fan

Speed r/min	No.	Flux m ³ /h	Total pressure Pa	Power kW	motor		size L×W×H mm	weight (except motor) kg
					Type	Power kW		
1800	1	17095	3020	19.02	Y225S-4	37		284
	2	19232	3011	20.35	Y225S-4	37		
	3	21369	2942	21.45	Y225S-4	37		
	4	23506	2903	22.67	Y225S-4	37		
	5	25937	2824	23.84	Y225S-4	37		
	6	27974	2697	25.00	Y225S-4	37		
	7	30111	2461	25.54	Y225S-4	37		
	8	32247	2197	26.09	Y225S-4	37		
1900	1	18045	3364	22.35	Y225M-4	45		320
	2	20301	3354	23.93	Y225M-4	45		
	3	22556	3285	25.28	Y225M-4	45		
	4	24812	3236	26.67	Y225M-4	45		
	5	27272	3148	28.05	Y225M-4	45		
	6	29528	3001	29.36	Y225M-4	45		
	7	31748	2746	30.07	Y225M-4	45		
	8	34039	2452	30.74	Y225M-4	45		

Y5-47-10D centrifugal boiler induced draft fan

Speed r/min	No.	Flux m ³ /h	Total pressure Pa	Power kW	motor		size L×W×H mm	weight (except motor) kg
					Type	Power kW		
1480	1	19281	2697	17.61	Y225S-4	37		284
	2	21691	2511	19.14	Y225S-4	37		
	3	24101	2461	20.24	Y225S-4	37		
	4	26511	2432	21.42	Y225S-4	37		
	5	26141	2363	22.50	Y225S-4	37		
	6	31551	2246	23.48	Y225S-4	37		
	7	33961	2056	24.10	Y225S-4	37		
	8	36371	1834	24.57	Y225S-4	37		

Y5-47-11D centrifugal boiler induced draft fan

Speed r/min	No.	Flux m ³ /h	Total pressure Pa	Power kW	motor		size L×W×H mm	weight (except motor) kg
					Type	Power kW		
1480	1	25663	3050	28.83	Y250M-4	55	3005×1990× 1834	427
	2	28871	3040	30.85	Y250M-4	55		
	3	32079	2971	32.52	Y250M-4	55		
	4	35387	2942	34.49	Y250M-4	55		
	5	38787	2854	36.16	Y250M-4	55		
	6	41995	2726	37.94	Y250M-4	55		
	7	45202	2491	38.79	Y250M-4	55		
	8	48410	2216	39.52	Y250M-4	55		

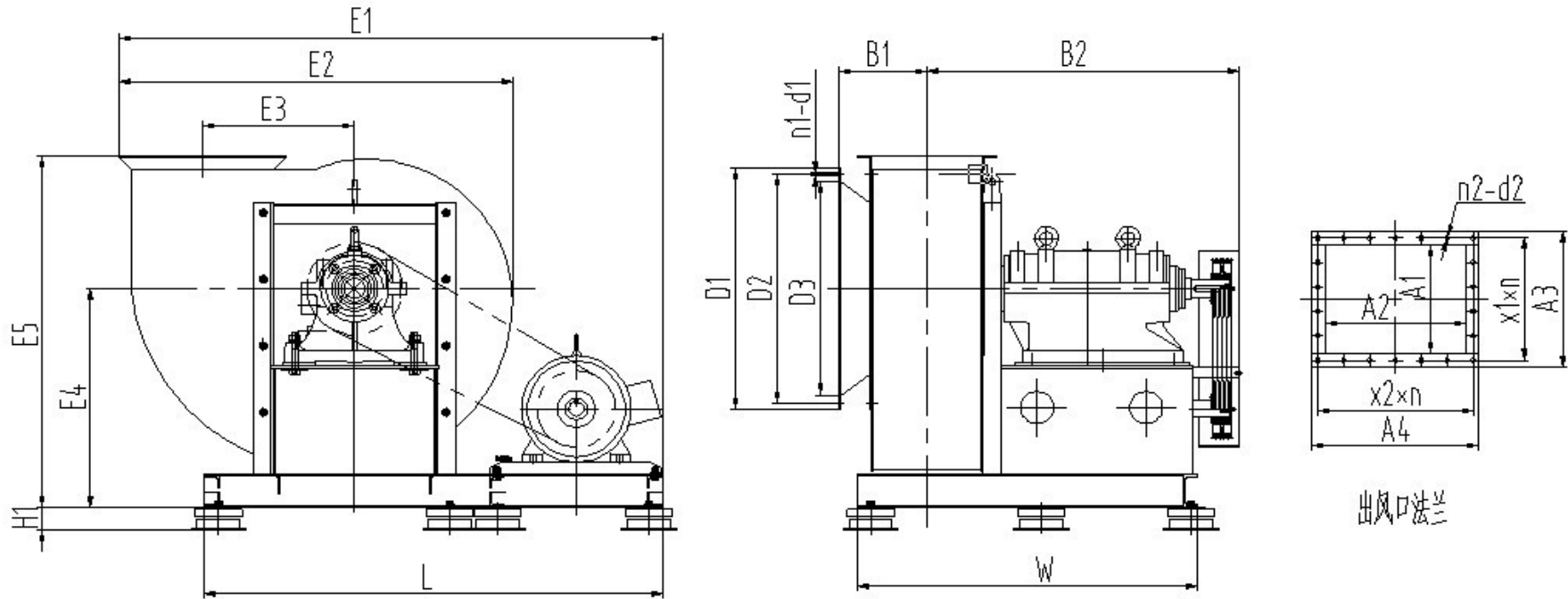
Shuangcheng Blower

Y5-47-12D centrifugal boiler induced draft fan

Speed r/min	No.	Flux m ³ /h	Total pressure Pa	Power kW	motor		size L×W×H mm	weight (except motor) kg
					Type	Power kW		
1480	1	33318	3628	44.53	Y280S-4	75	3448×2227× 2064	562
	2	37483	3619	47.68	Y280S-4	75		
	3	41648	3540	50.30	Y280S-4	75		
	4	45812	3491	53.13	Y280S-4	75		
	5	50356	3393	55.82	Y280S-4	75		
	6	54520	3236	58.47	Y280M-4	90		
	7	58685	2962	59.88	Y280M-4	90		
	8	62850	2638	61.06	Y280M-4	90		667

Y5-47-12.4D centrifugal boiler induced draft fan

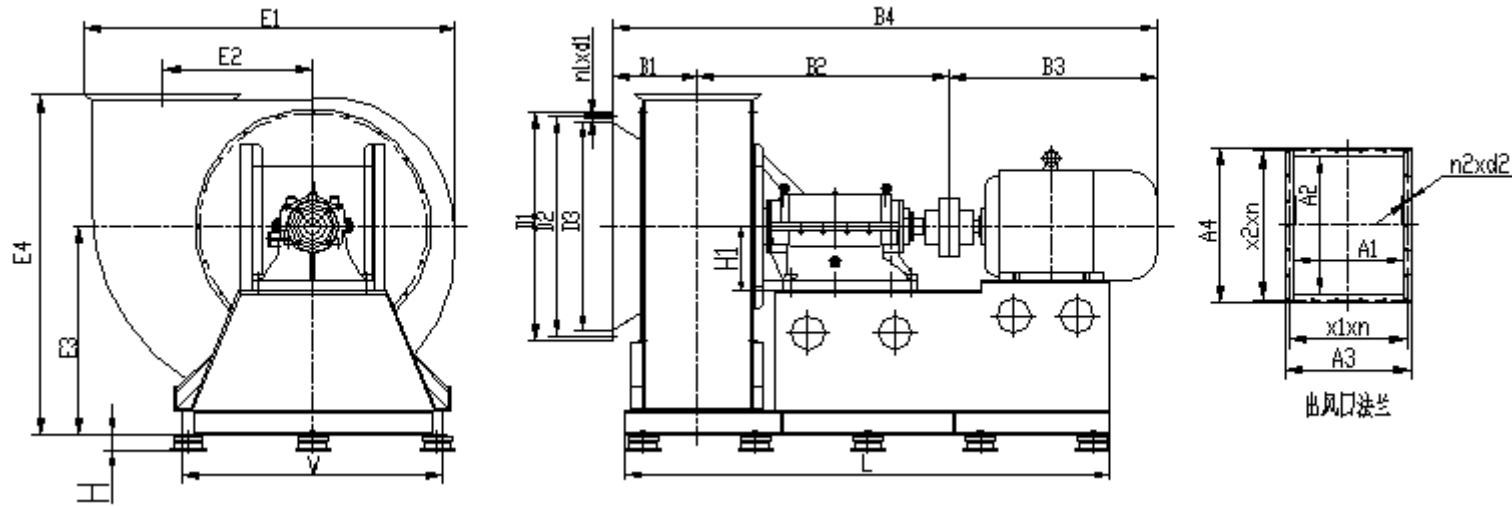
Speed r/min	No.	Flux m ³ /h	Total pressure Pa	Power kW	motor		size L×W×H mm	weight (except motor) kg
					Type	Power kW		
1480	1	36762	3874	52.45	Y315S-4	110	3521×2143× 2054	1000
	2	41357	3864	56.17	Y315S-4	110		
	3	45953	3776	59.19	Y315S-4	110		
	4	50548	3736	62.74	Y315S-4	110		
	5	55561	3619	65.69	Y315S-4	110		
	6	60156	3462	69.01	Y315S-4	110		
	7	64751	3168	70.67	Y315S-4	110		
	8	69347	2824	72.14	Y315S-4	110		



Shape and Installation Size Chart of Model Y5-47 C Centrifugal Blower

No.	Inlet flange					Outlet flange								Shape Size						Installation Size					
	D1	D2	D3	Coupling bolt		A1	A2	A3	A4	Coupling bolt				E1	E2	E3	E4	E5	B1	B2	L	W	H1	Anchor bolt hole	
				d1	n1					d2	n2	x1xn	x2xn											Φ	quantity
4	462	440	400	12	12	200	253	266	321	10	12	80x3	97x3	1123	739	282	400	630	159	630	900	540	65	15	4
5	572	540	500	12	16	250	371	317	385	10	12	97x3	119x3	1440	913	352	485	789	199	651	1160	700	65	15	6
6	676	645	600	12	16	300	380	367	448	12	14	114x3	106x4	1724	1085	422	625	990	239	730	1440	770	65	15	6
8	906	860	800	15	16	410	514	510	614	15	22	92x5	95x6	1995	1444	558	820	1318	323	827	1680	1250	87	18	6
9	1010	960	900	15	16	450	570	559	682	15	22	103x5	105x6	2090	1628	633	788	1346	366	1094	1650	1240	87	18	8

Shuangcheng Blower



Shape and Installation Size Chart of Model Y5-47 D Centrifugal Blower

No.	Inlet flange					Outlet flange								Shape Size								Installation Size					Bearing house	
	D1	D2	D3	Coupling bolt		A1	A2	A3	A4	Coupling bolt				E1	E2	E3	E4	B1	B2	B3	B4	L	W	H	Anchor bolt hole		Bearing No.	H1
				d1	n1					d2	n2	x1xn	x2xn												Φ	quantity		
10	1110	1065	1000	15	16	500	633	608	749	15	22	113x5	117x6	1929	703	978	1592	409	1175	770	2360	2310	950	87	18	8	22316	280
11	1210	1170	1100	15	24	550	696	658	812	15	22	123x5	127.5x6	1971	775.7	1090	1764	444	1175	930	2552	2360	1150	87	18	10	22320	375
12	1310	1270	1200	15	24	600	760	708	876	15	22	131x6	138x6	2075	842	1170	1910	488	1464	1050	3012	2770	1260	87	18	12	22320	375
12.4	1310	1270	1200	15	24	620	785	728	901	15	22	137x5	143x6	2143	870.5	1250	1969	493	1442	1201	3146	2800	1500	87	18	12	22320	375